

Air velocity meter

Model A2G-20

WIKA data sheet SP 69.06



Applications

- For measuring the air velocity and the temperature of air and other non-inflammable and non-aggressive gases in fresh and exhaust air ducts
- Designed for direct connection to control systems or the building automation system

Special features

- Electrical output signal DC 0 ... 10 V or 4 ... 20 mA, can be selected directly at the instrument via jumpers
- Output signal for velocity and air temperature in one instrument
- With switching output (optional)
- Mounting flange for mounting on circular ventilation pipes or rectangular ventilation ducts
- Maintenance-free



Air velocity meter, model A2G-20

Description

The model A2G-20 air velocity meter is used for measuring flow rates of gaseous media in ventilation and air-conditioning applications. In addition, the A2G-20 features integrated temperature measurement.

Electrical output signals for both measurands (DC 0 ... 10 V or 4 ... 20 mA; adjustable at the instrument via jumpers) enable the direct connection to control systems or the building automation system.

An additional switching output (option) enables a flexible operation for controlling further components of a ventilation and air-conditioning system.

The LC display (option) and the clear menu navigation enable a time-saving and simple commissioning.

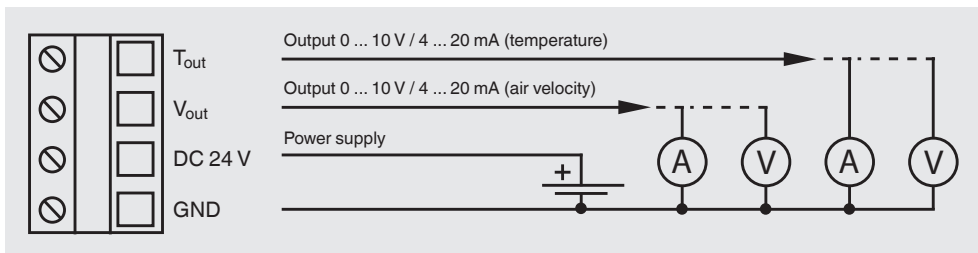
Specifications

Air velocity meter, model A2G-20	
Measuring element	Pt1000 and NTC10k
Measuring range	0 ... 2 m/s, 0 ... 10 m/s or 0 ... 20 m/s can be selected at the instrument via jumpers 0 ... 50 °C
Accuracy	<ul style="list-style-type: none"> Air velocity <ul style="list-style-type: none"> Measuring range 0 ... 2 m/s: < 0.1 m/s +5 % of reading Measuring range 0 ... 10 m/s: < 0.5 m/s +5 % of reading Measuring range 0 ... 20 m/s: < 1.0 m/s +5 % of reading Temperature <ul style="list-style-type: none"> < 0.5 °C (v > 0.5 m/s)
Power supply U_B	DC 24 V/AC 24 V ±10 %
Output signal	<ul style="list-style-type: none"> Air velocity <ul style="list-style-type: none"> DC 0 ... 10 V (linear to m/s): Load min. 1 kΩ 4 ... 20 mA (linear to m/s): Load max. 400 Ω Temperature <ul style="list-style-type: none"> DC 0 ... 10 V (linear to °C): Load min. 1 kΩ 4 ... 20 mA (linear to °C): Load max. 400 Ω
Electrical connection	Screw terminals Cable gland M16 max. 1.5 mm ²
Case	Plastic (ABS)
Type of mounting	Duct installation
Standard accessories	Mounting flange
LC display (option)	3 ½-digit display with backlighting Size: 46.7 x 12.7 mm
Switching output (option)	3 screw terminals max. 1.5 mm ² (NC, COM, NO) Relay (potential-free, change-over contact, max. AC 250 V, 6 A, DC 30 V, 6 A, adjustable switching threshold and hysteresis)
Permissible temperatures	<ul style="list-style-type: none"> Ambient temperature <ul style="list-style-type: none"> 0 ... 50 °C, max. 85 % r. h. Medium temperature <ul style="list-style-type: none"> 0 ... 50 °C, max. 85 % r. h.
Ingress protection	IP54
Weight	220 g

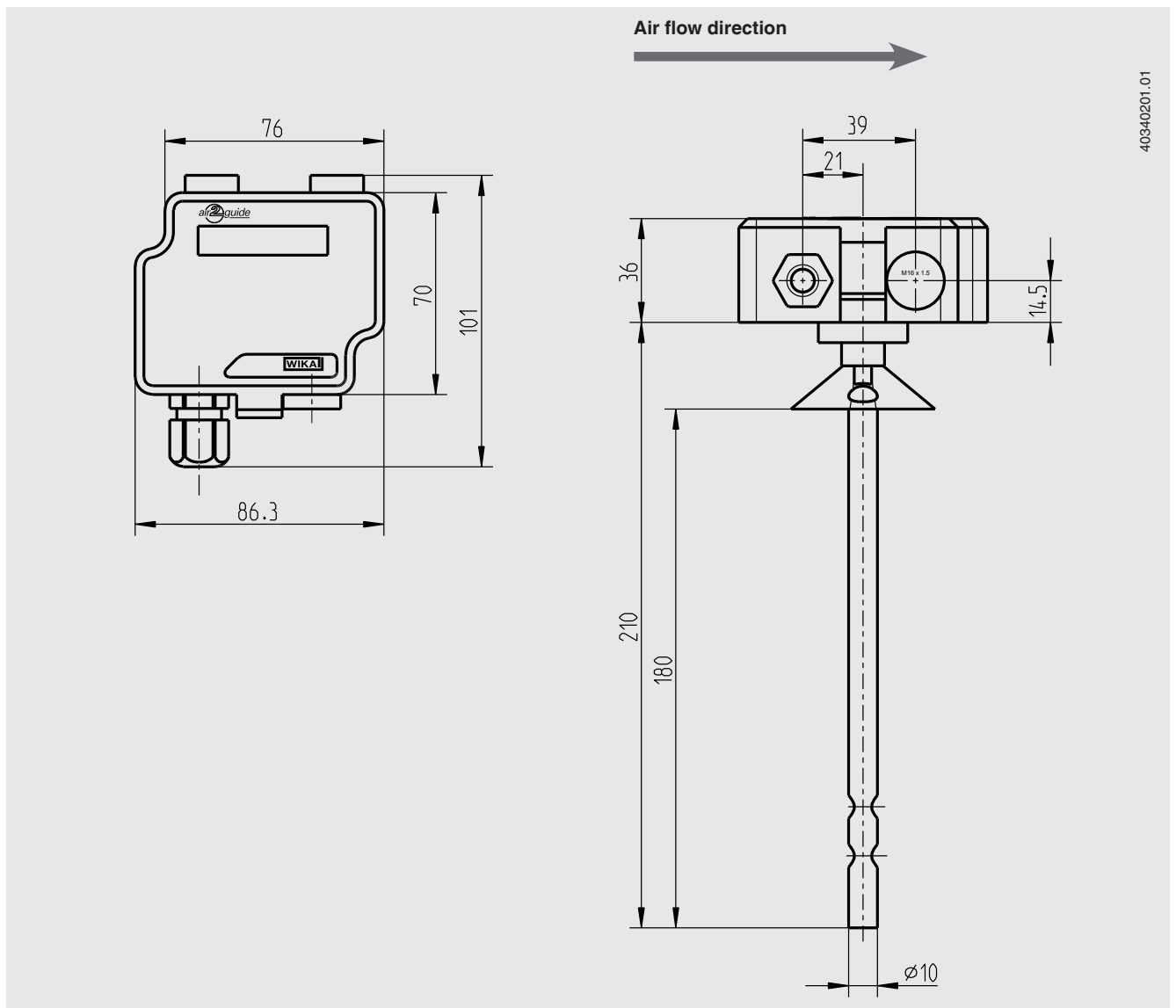
Options

- LC display for measured value display
- LC display for measured value display and relay (potential-free, change-over contact, max. AC 250 V, 6 A, DC 30 V, 6 A, adjustable switching threshold and hysteresis)

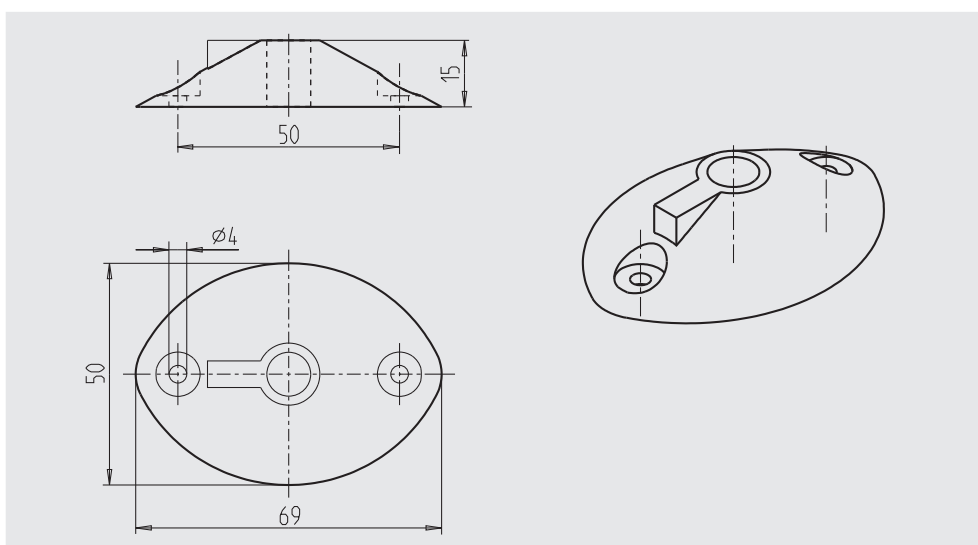
Electrical connection



Dimensions in mm



Standard accessories: Mounting flange



Certificates (option)

- 2.2 test report

Scope of delivery

- Air velocity meter
- Mounting flange
- Available in three variants
 - Without display
 - With display
 - With display and switching output

Ordering information

Model / Options

© 02/2011 WIKA Alexander Wiegand SE & Co. KG, all rights reserved.
The specifications given in this document represent the state of engineering at the time of publishing.
We reserve the right to make modifications to the specifications and materials.



WIKA Alexander Wiegand SE & Co. KG
Alexander-Wiegand-Straße 30
63911 Klingenberg/Germany
Tel. +49 9372 132-0
Fax +49 9372 132-406
info@wika.de
www.wika.de