

Single point load cell up to 250 kg Model F4801

WIKA data sheet FO 53.10

Applications

- Electronic precision scales
- Industrial scales

Special features

- Measurement ranges 0 ... 3 kg up to 0 ... 250 kg
- Made of aluminum alloy
- High accuracy
- High side load tolerance
- Simple structure, easy to install



Single point load cell, model F4801

Description

Single point load cells are especially designed to be used in platform weighing. They can be mounted under the platform without any further construction or calibration processes.

The load cell is easy to operate due to its simple way of the force direction. It applied vertically to the load cell axis.

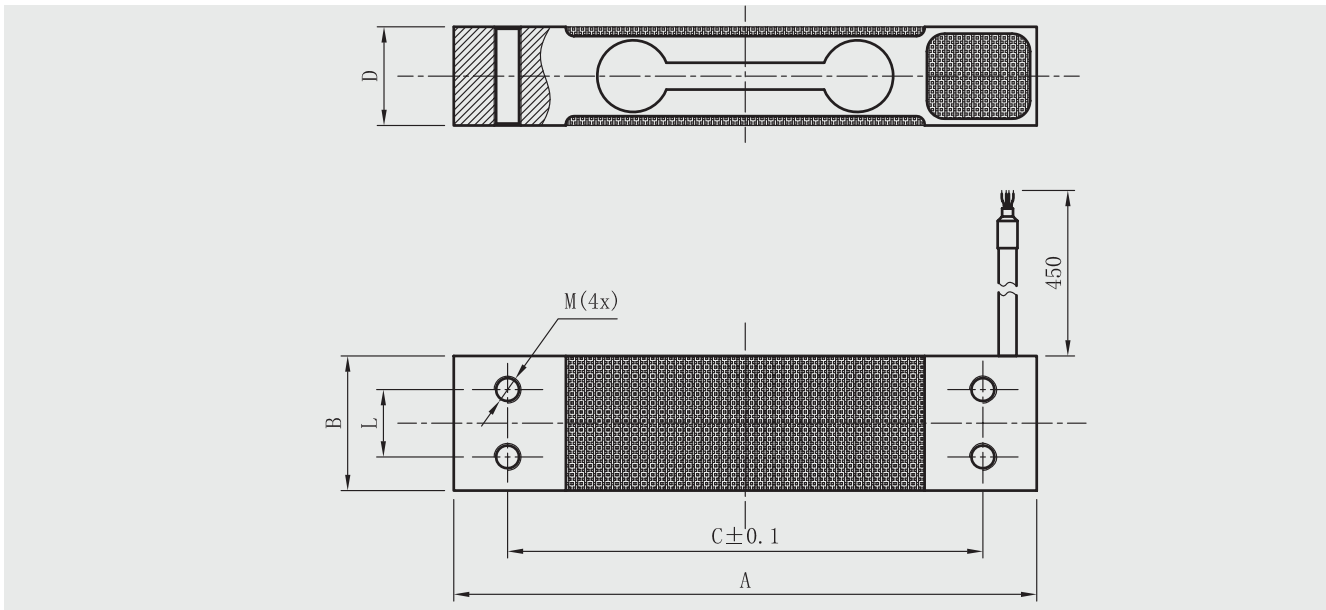
Note

The load cells are to be mounted on an even surface. The permitted load direction is marked with an arrow symbol.

Specifications in accordance with VDI/VDE/DKD 2638

Model F4801	
Nominal load F_{nom} kg	3 / 4 / 5 / 6 / 8 / 10 / 15 / 20 / 25 / 30 / 40 / 45 / 50 / 60 / 100 / 150 / 200 / 250
Relative linearity error d_{lin}	$\pm 0.02 \% F_{nom}$
Relative creep, 30 min.	$\pm 0.02 \% F_{nom}$
Relative reversibility v	$\pm 0.02 \% F_{nom}$
Relative deviation of zero signal $d_{S,0}$	$\pm 2 \% F_{nom}$
Temperature effect on zero signal TK_0	$\leq \pm 0.02 \% / 10^\circ C$
Temperature effect on characteristic value TK_C	$\leq \pm 0.02 \% / 10^\circ C$
Force limit F_L	150 % F_{nom}
Breaking force F_B	200 % F_{nom}
Material	Aluminium
Rated temperature range $B_{T, nom}$	-10 ... +40 °C
Operating temperature range $B_{T, G}$	-20 ... +60 °C
Input resistance R_e	410 \pm 10 Ω
Output resistance R_a	350 \pm 5 Ω
Insulation resistance R_{is}	$\geq 2,000 M\Omega / DC 100 V$
Output signal (rated output) C_{nom}	2.0 \pm 1 % mV/V
Electrical connection	Cable $\varnothing 4 \times 450$ mm
Rated range of excitation voltage $B_{U, nom}$	10 V (max. 15 V)
Protection (acc. to IEC/EN 60529)	IP65
Platform size	250 x 300 mm
Weight in kg	
■ 2 up to 50 kg	0.3
■ 60 up to 250 kg	0.4

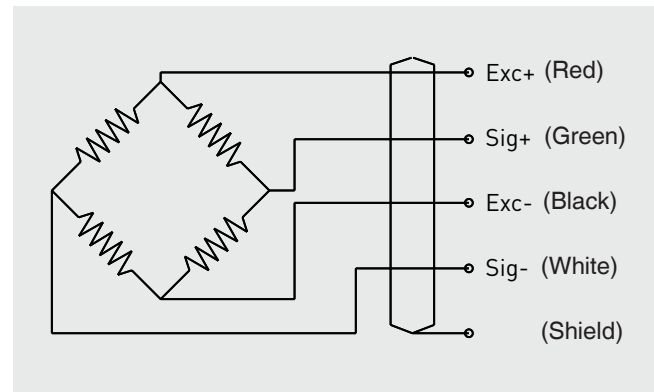
Dimensions in mm



Nominal load in kg	Dimensions in mm					
	A	B	C	D	L	M
3 / 4 / 5 / 6 / 8 / 10 / 15 / 20 / 25 / 30 / 40 / 45 / 50	130	30	106	22	15	M6
60 / 100 / 150 / 200 / 250	130	50	106	22	25	M8

Pin assignment

Electrical connection	
Excitation voltage (+)	Red
Excitation voltage (-)	Black
Signal (+)	Green
Signal (-)	White
Screen ⊕	Screen



© 2016 WIKA Alexander Wiegand SE & Co. KG, all rights reserved.
 The specifications given in this document represent the state of engineering at the time of publishing.
 We reserve the right to make modifications to the specifications and materials.

